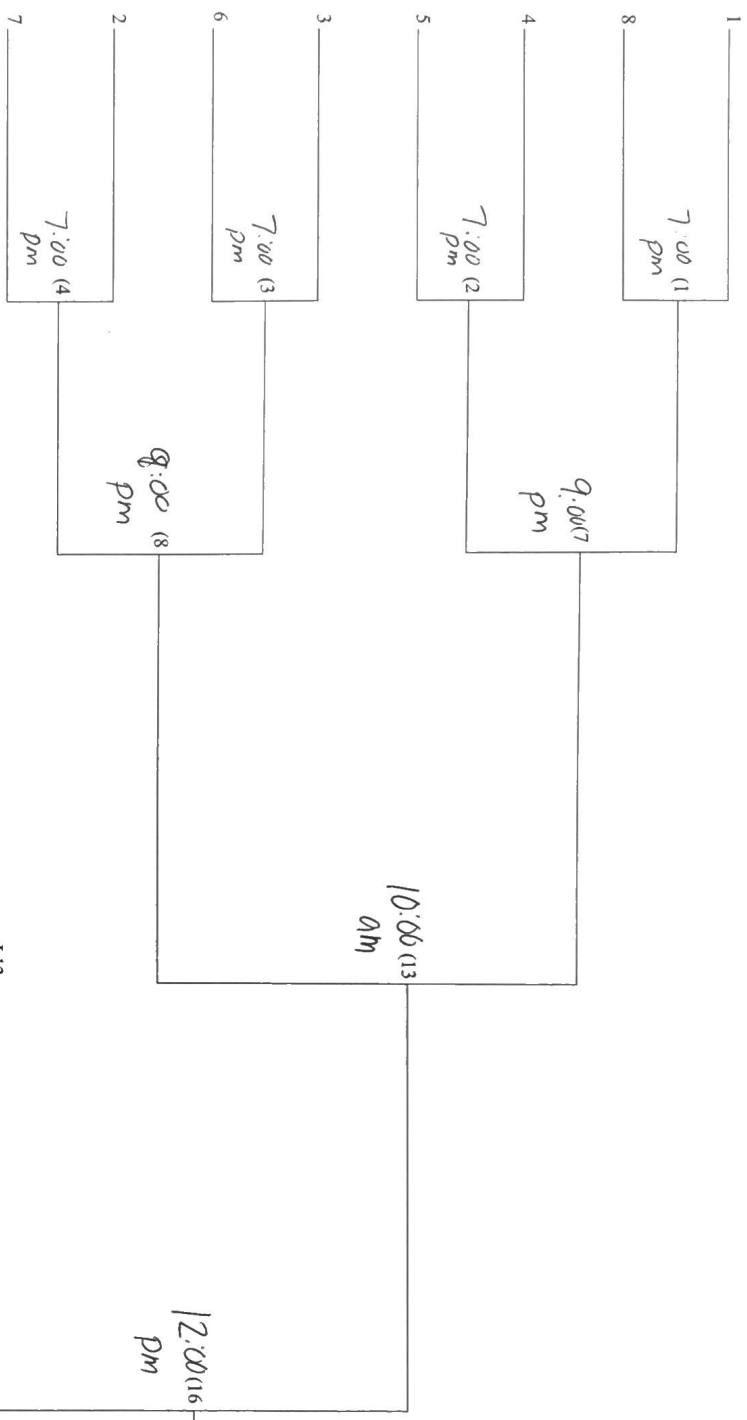
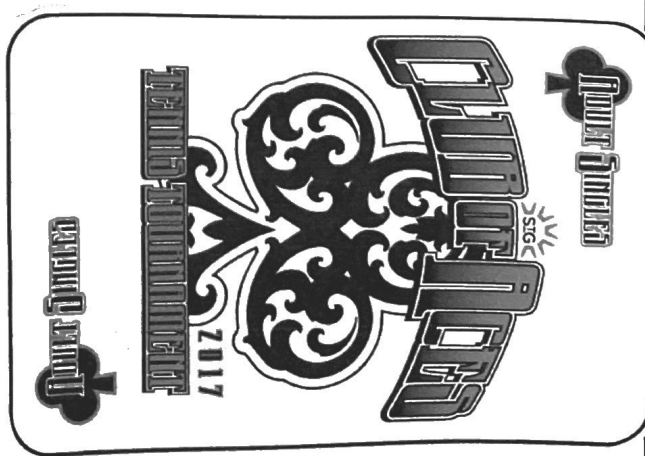
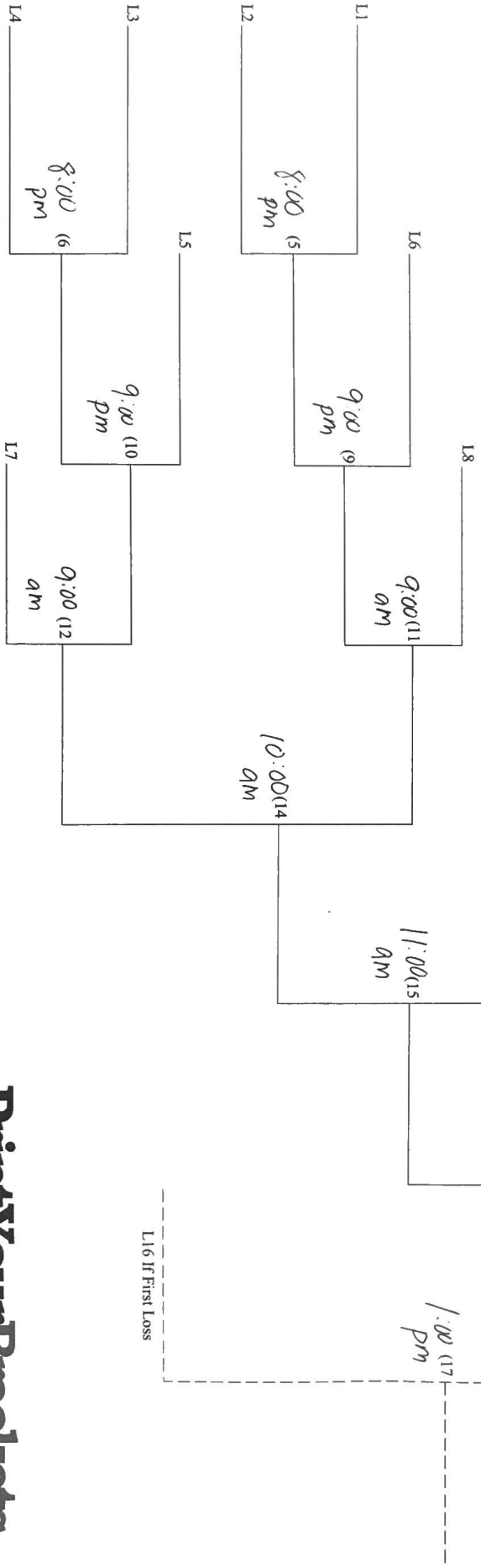


# Club of Aces Singles Draw 3.0/3.5



Loser's Bracket



8 players