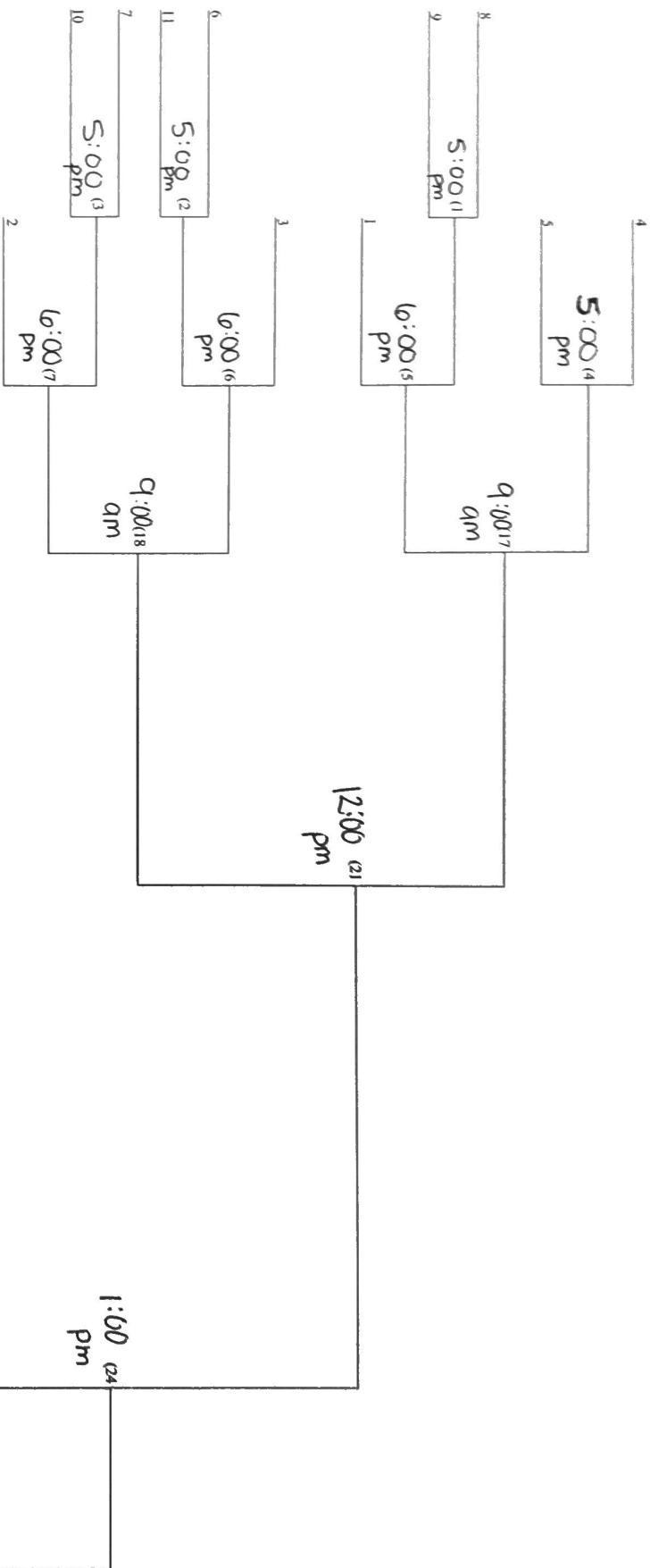
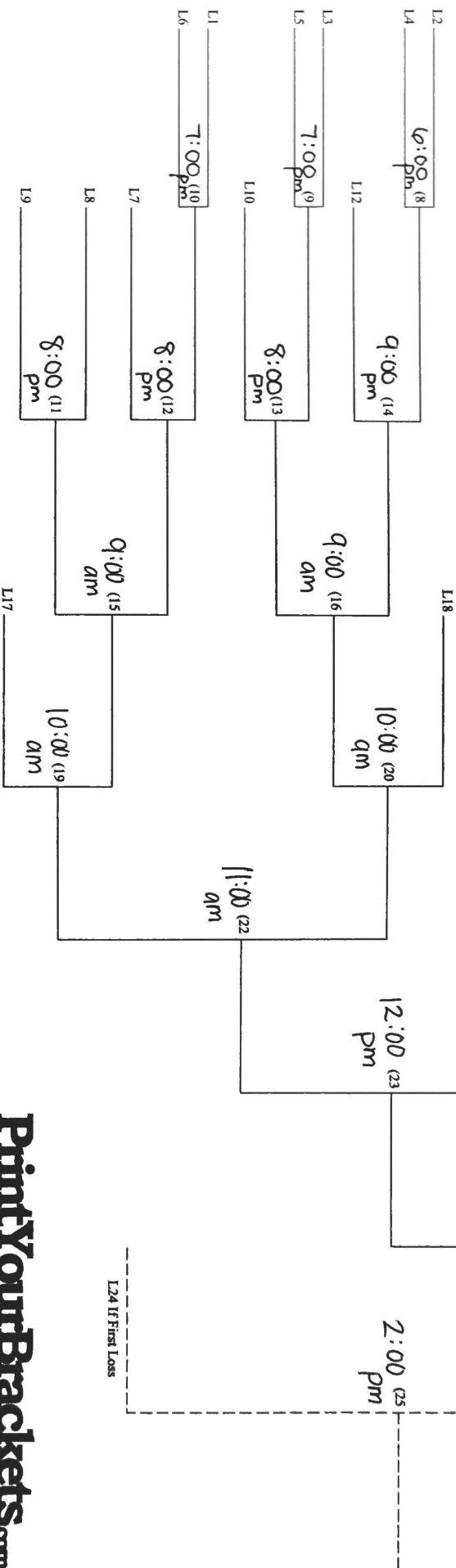


Club of Aces - Singles Draw 4.5/5.0

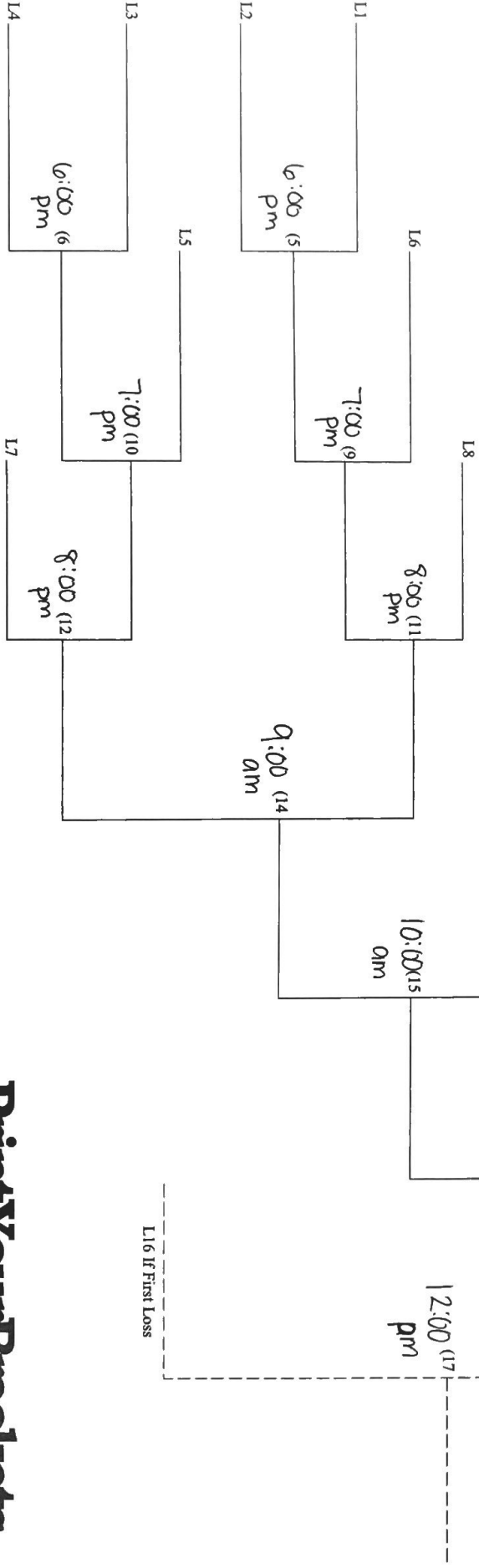
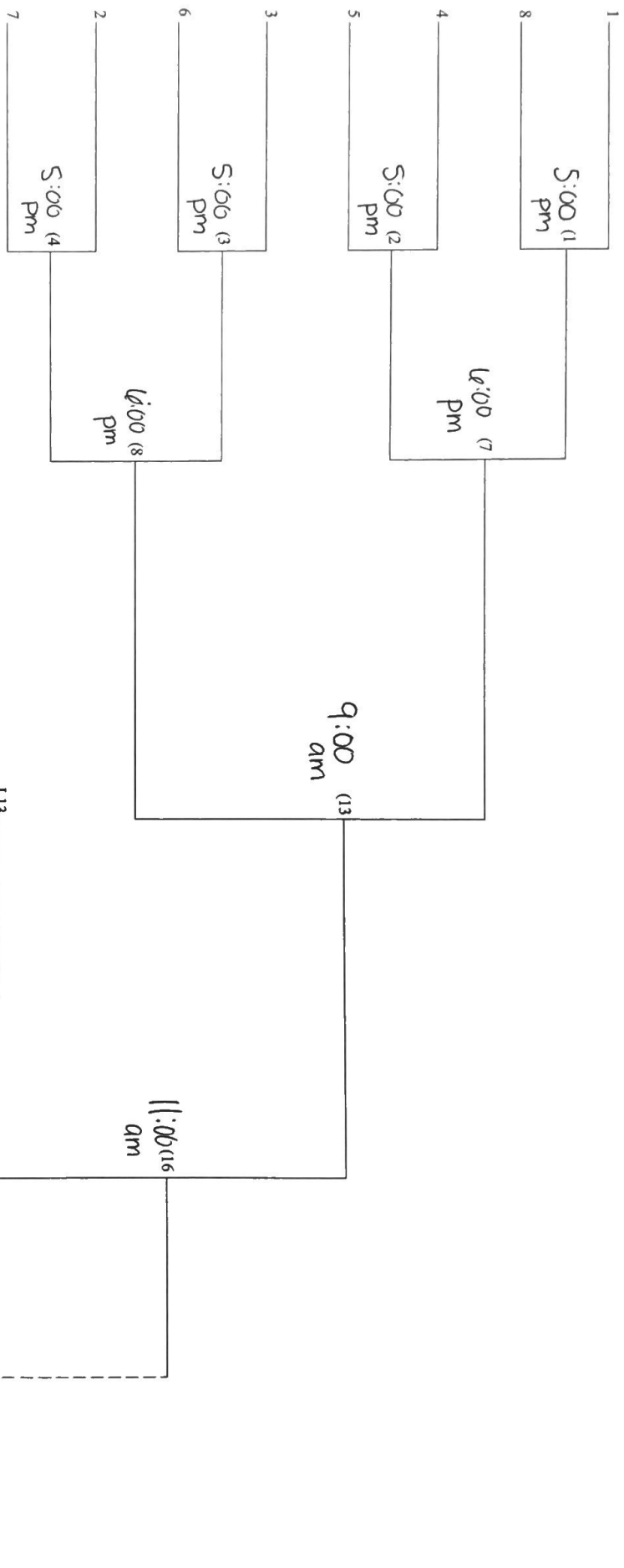


Loser's Bracket

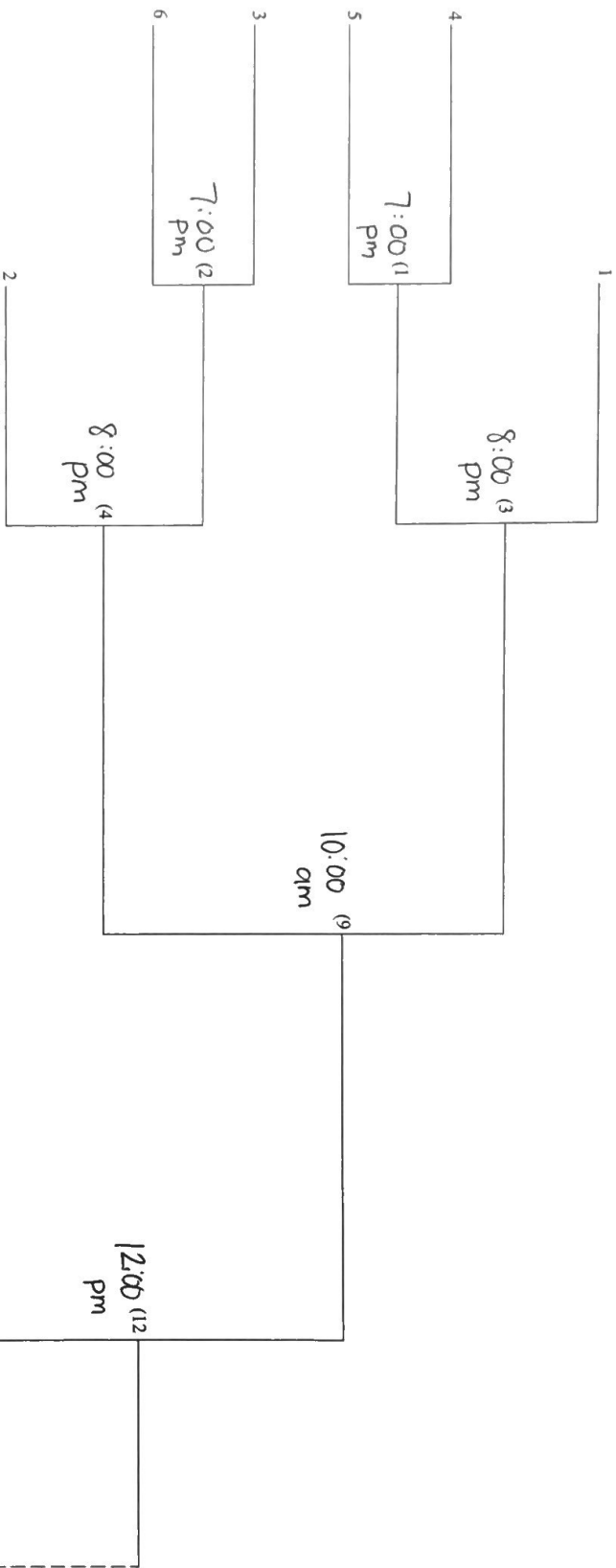


L24 If First Loss

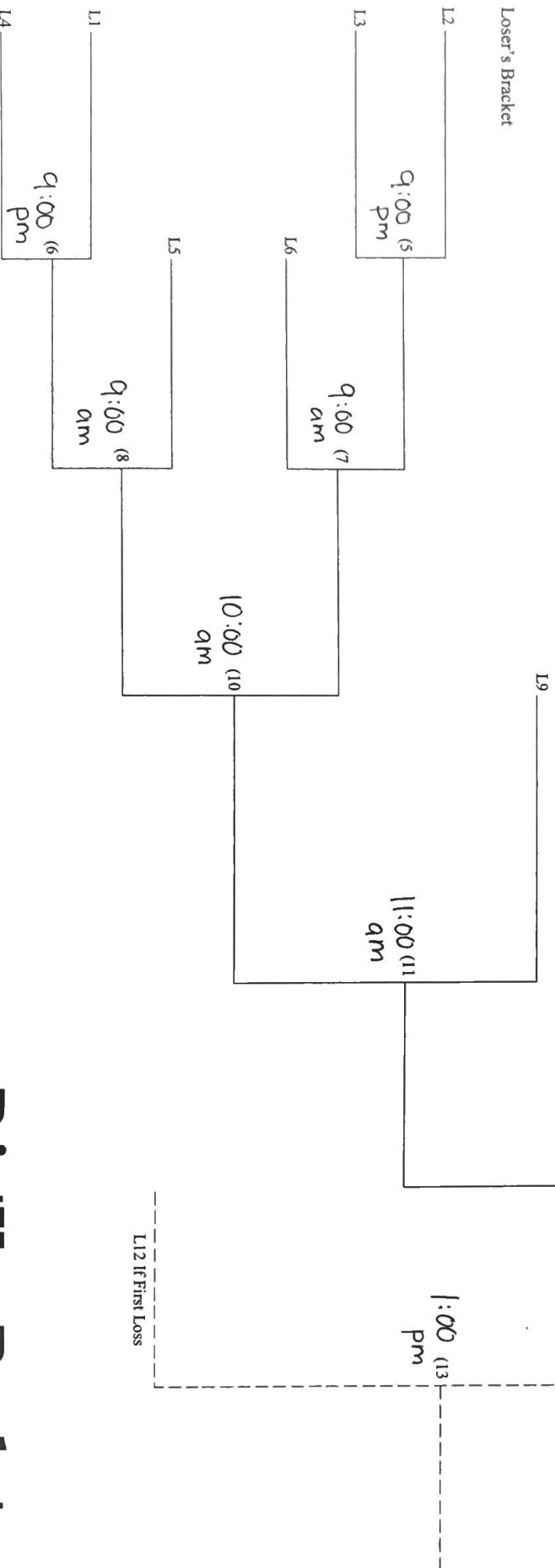
Club of Aces - Singles Draw 4.0



Club of Aces - Singles Draw 3.0/3.5



Loser's Bracket



6 players