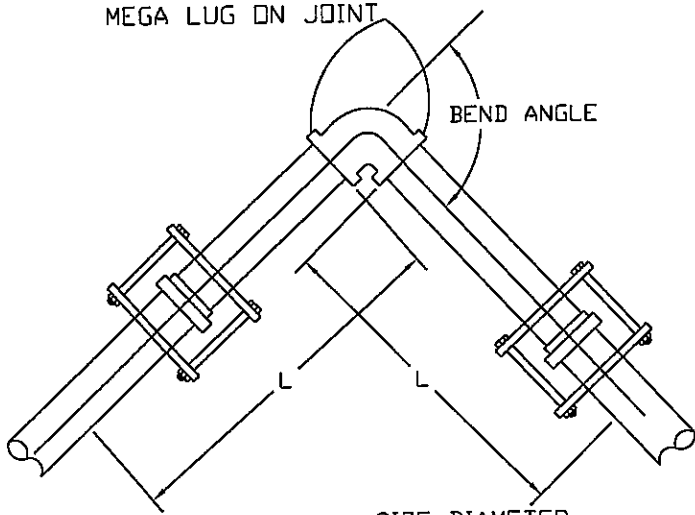


MEGA LUG ON JOINT



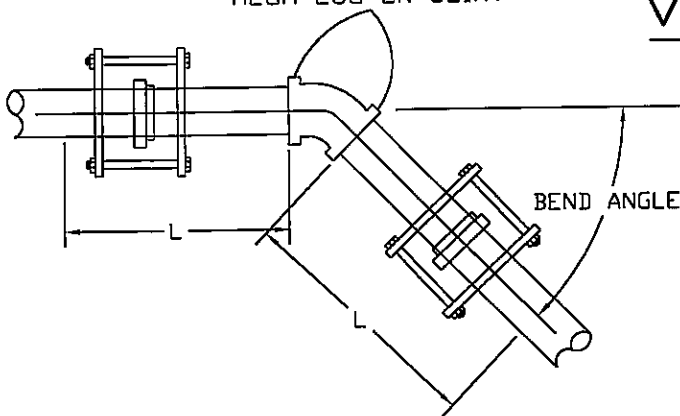
## HORIZONTAL BEND

1. ALL JOINTS WITHIN LENGTH "L" MUST BE RESTRAINED. USE RETAINER GLAND AT MECHANICAL JOINTS AND HARNESS WITH PUSH-ON PIPE PER CITY SPECIFICATION.
2. FOR TEST PRESSURES AND LAYING CONDITIONS SEE SECTION ON GENERAL NOTES FOR USE OF RESTRAINED JOINT LENGTHS.

		SIZE DIAMETER							
		4	6	8	10	12	14	16	20
BEND ANGLE	11.25	3	2	3	3	4	4	5	6
	22.5	3	4	7	7	8	9	10	12
	45	6	9	12	14	16	19	21	26
	90	15	21	28	34	40	45	51	62

RESTRAINED LENGTHS, "L" (IN FEET)

MEGA LUG ON JOINT



## VERTICAL DOWN BEND

1. ALL JOINTS WITHIN LENGTH "L" MUST BE RESTRAINED. USE RETAINER GLAND AT MECHANICAL JOINTS AND HARNESS WITH PUSH-ON PIPE PER CITY SPECIFICATION.
2. FOR TEST PRESSURES AND LAYING CONDITIONS SEE SECTION ON GENERAL NOTES FOR USE OF RESTRAINED JOINT LENGTHS.

		SIZE DIAMETER							
		4	6	8	10	12	14	16	20
BEND ANGLE	11.25	3	5	7	8	8	10	11	13
	22.5	6	10	11	14	16	18	22	25
	45	14	18	24	28	33	38	43	53

RESTRAINED LENGTHS, "L" (IN FEET)

CITY OF ST. GEORGE ENGINEERING DEPARTMENT

REVISIONS		
DATE	DESCRIPTION	BY

### STANDARD BENDS FOR DUCTILE IRON RESTRAINING SYSTEM DETAIL

STANDARD DWG. NO.	
310	1 OF 1
APPROVED:	
DATE:	BY: LBB