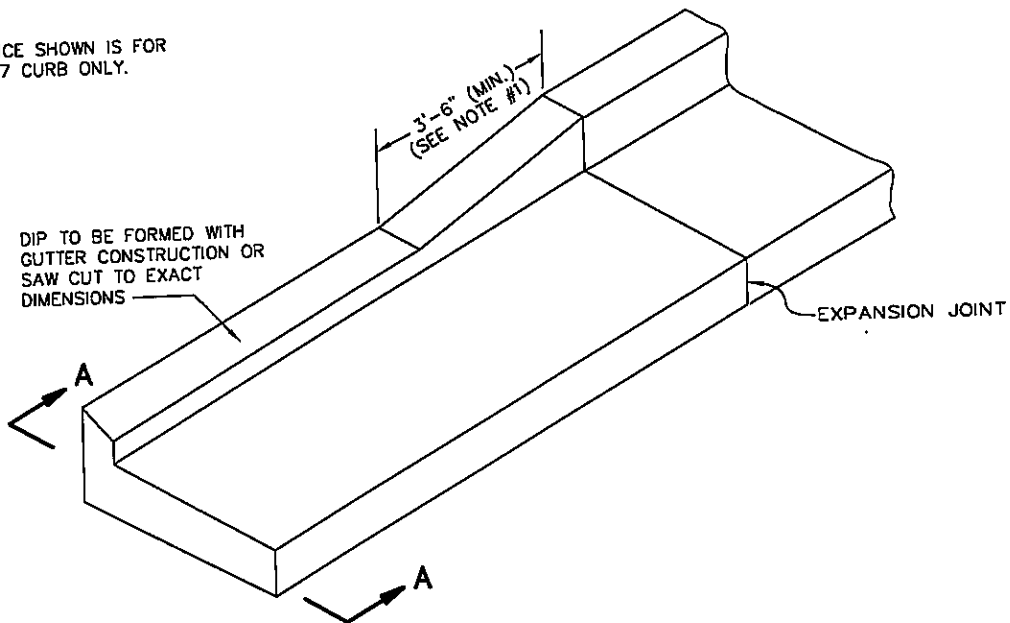


NOTES:
 1- DISTANCE SHOWN IS FOR HB30-7 CURB ONLY.



NO SCALE

CITY OF ST. GEORGE ENGINEERING DEPARTMENT

DRIVEWAY CURB (TYPE HB30-7)
 DETAILS

STANDARD DWG. NO.
 110 1 OF 1

APPROVED:
 DATE: BY: LBB

REVISIONS		
DATE	DESCRIPTION	BY