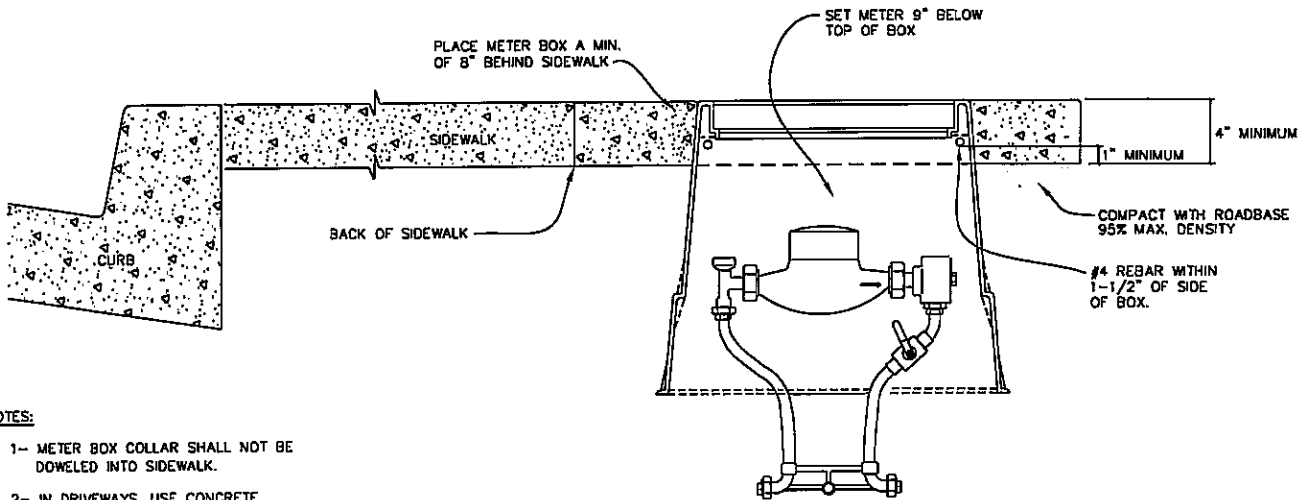


PLAN VIEW



SECTION

NOTES:

- 1- METER BOX COLLAR SHALL NOT BE DOWELED INTO SIDEWALK.
- 2- IN DRIVEWAYS, USE CONCRETE BDX WITH CAST IRDN LID.

CITY OF ST. GEORGE ENGINEERING DEPARTMENT

**WATER METER BOX
DETAILS**

STANDARD DWG. NO.

300 1 OF 1

APPROVED:

DATE: BY: LBB

REVISIONS		
DATE	DESCRIPTION	BY