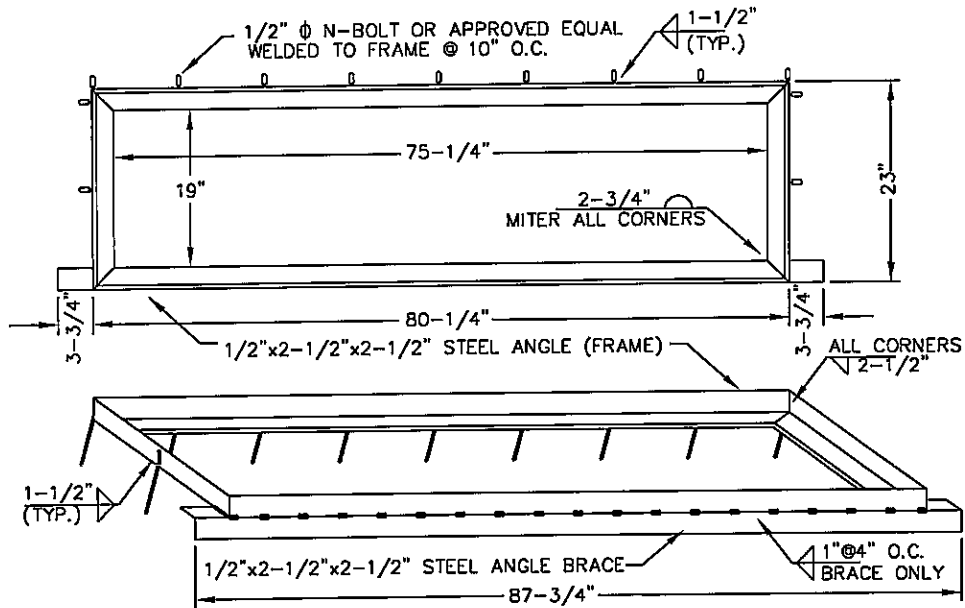
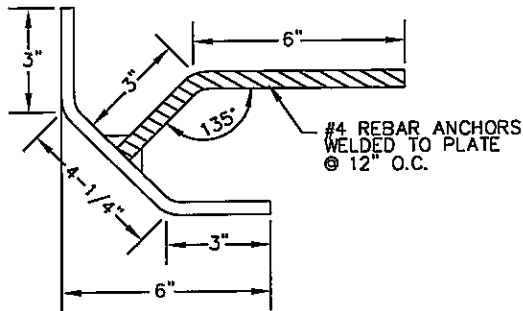


PLAN VIEW



FRAME & SUPPORT BRACE



STEEL SUPPORT

NOTES:

1. FRAME SHALL BE PAINTED WITH ONE COAT PRIMER AND ONE COAT LIGHT GREY FINISH.

CITY OF ST. GEORGE ENGINEERING DEPARTMENT

REVISIONS		
DATE	DESCRIPTION	BY

CURB INLET DOUBLE CATCH BASIN FRAME

STANDARD DWG. NO.	
205	2 OF 2
APPROVED:	
DATE:	BY: LBB