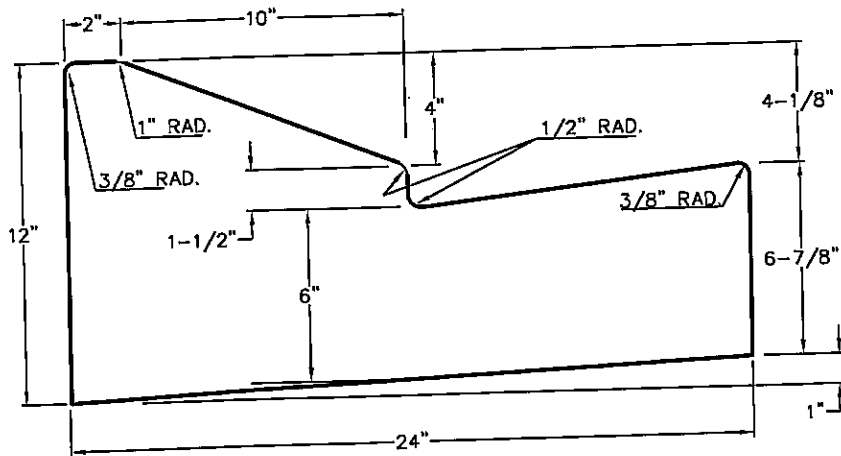


RU30

NOTES:

- 1- ALL CONSTRUCTION & MATERIALS SHALL CONFORM TO CITY STANDARDS.
- 2- RU30 FOR USE ON CERTAIN RURAL COLLECTOR ROADS ONLY & SHALL BE APPROVED BY THE CITY ENGINEER PRIOR TO ITS USE.
- 3- PR24 FOR USE IN PRIVATE DEVELOPMENTS ON PRIVATE ROADS ONLY.



**PR24
(PRIVATE DEVELOPMENTS ONLY)**

CITY OF ST. GEORGE ENGINEERING DEPARTMENT

REVISIONS		
DATE	DESCRIPTION	BY

**CONCRETE CURB & GUTTER
(RU30 & PR24)**

STANDARD DWG. NO.	
101	1 OF 1
APPROVED:	
DATE: 6/10/96	BY: LBB