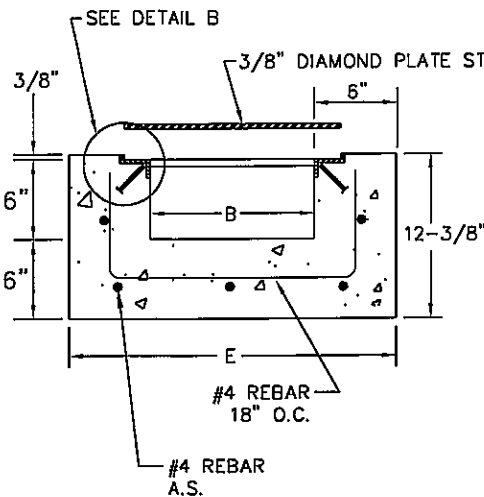
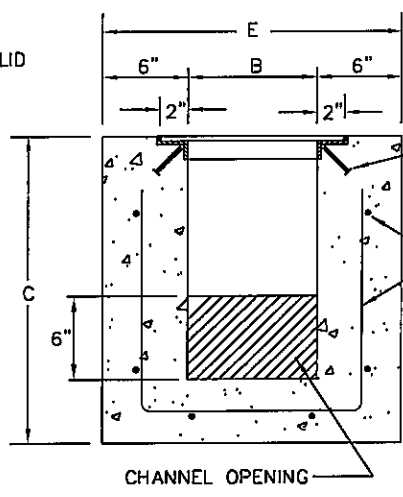


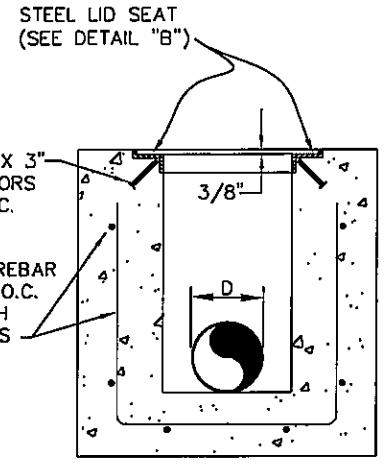
NOTE:  
STEEL LID TO BE FLUSH  
WITH CONCRETE SIDEWALK.



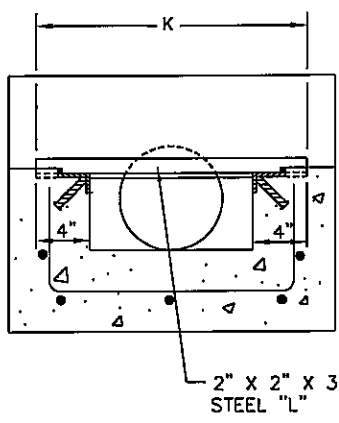
**SECTION B-B**



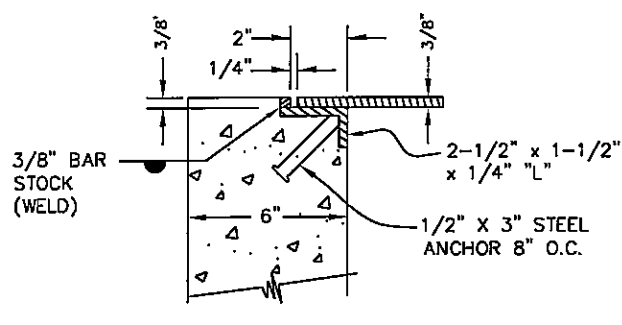
**SECTION C-C**



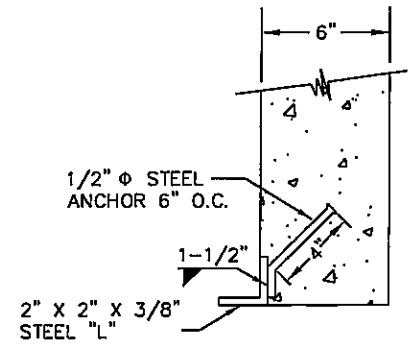
**SECTION D-D**



**SECTION E-E**



**DETAIL B**



**DETAIL C**

- NOTES:
- 1- ALL REBAR SHALL HAVE 2" MIN. CLEAR.
  - 2- STEEL LID SHALL BE FLUSH WITH CONCRETE.
  - 3- BOX DIMENSIONS BASED UPON INLET PIPE SIZE "D".
  - 4- ALL STEEL SHALL BE GRADE 60.
  - 5- LID FOR CLEANOUT BOX SHALL HAVE 1-4 INCH X 1" SLOT FOR LIFTING. LID MAY BE SMOOTH OR DIAMOND PLATE STEEL.
  - 6- SIDEWALK LID SHALL BE DIAMOND PLATE STEEL.
  - 7- STANDARD REBAR SHALL NOT BE USED FOR STEEL ANCHORS.
  - 8- ALL EXTERIOR EDGES OF CLEANOUT BOX TO HAVE 3/4" TO 1" CHAMFER (NOT SHOWN IN DETAILS FOR CLARITY).
  - 9- STEEL LIDS AND SEAT TO BE PAINTED GREY IN ACCORDANCE WITH CITY STANDARDS.

MARK	DIMENSION (INCHES)				COMMENTS
	B	C	D	E	
B	10	15	20	30*	INSIDE WIDTH
C	20	22	24	27	CLEANOUT BOX HEIGHT
D	≤ 8	10	12	15	INLET PIPE
E	22	27	32	42	BOX WIDTH
K	18	23	28	38	STEEL END SUPPORT

**DIMENSION TABLE**

\*REQUIRES ENGINEERED DESIGN FOR LID & BOX.

CITY OF ST. GEORGE ENGINEERING DEPARTMENT

**SIDEWALK DRAINAGE STRUCTURE**

REVISIONS		
DATE	DESCRIPTION	BY

STANDARD DWG. NO.	
204	2 OF 2
APPROVED:	
DATE:	BY: LBB