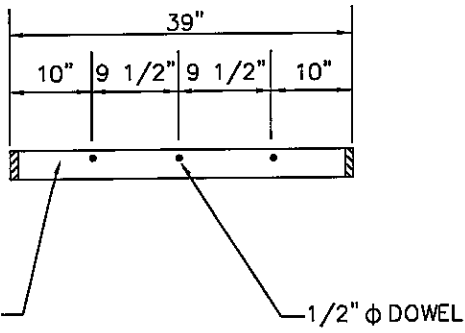


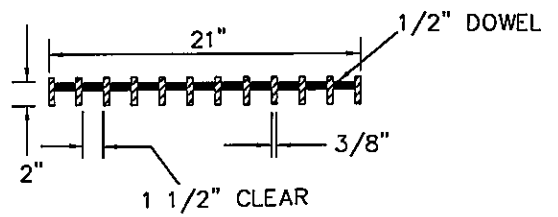
PLAN

NOTES:

- 1- STEEL SHALL BE COLD ROLLED FLAT STOCK.



SECTION C-C



SECTION D-D

NO SCALE

CITY OF ST. GEORGE ENGINEERING DEPARTMENT

**CATCH BASIN GRATE
(NON-BICYCLE SAFE)**

STANDARD DWG. NO.
201 | 1 OF 1

APPROVED:
DATE: | BY: LBB

REVISIONS		
DATE	DESCRIPTION	BY