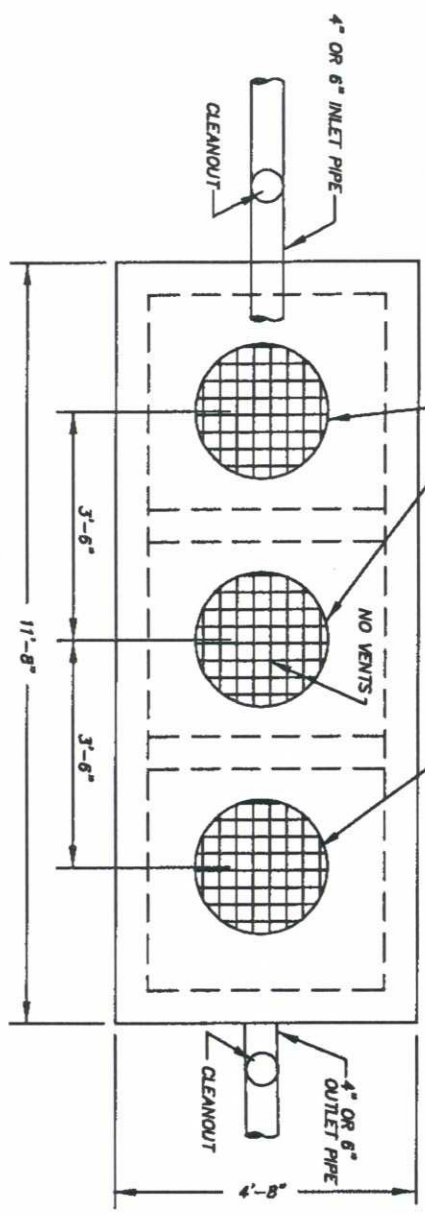
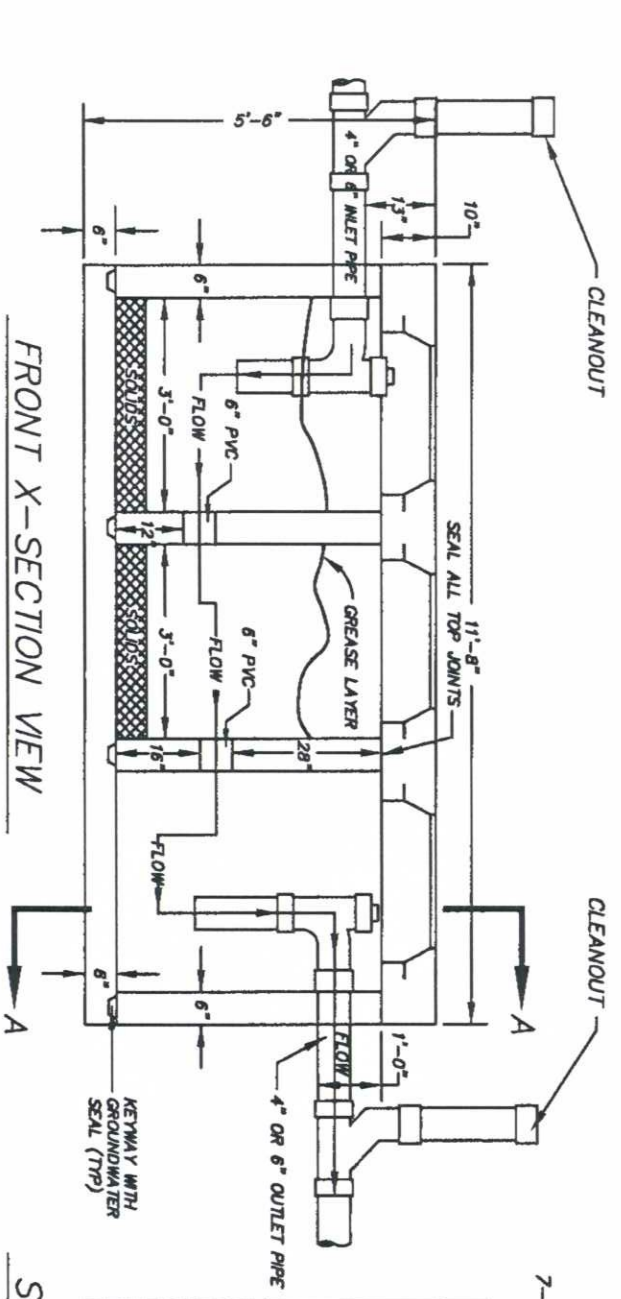


SAINT GEORGE REGION STANDARD GREASE/SAND INTERCEPTOR

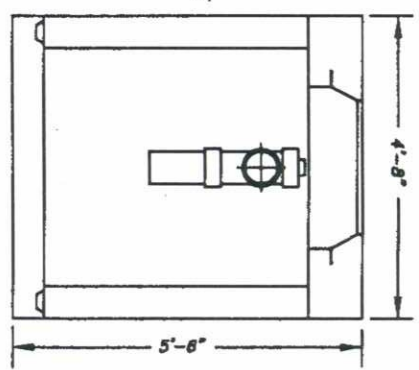
24-3/4" DIA.
DAL SUPPLY E-1925
LOCK BOLT/NON-VENTED
MANHOLE LID OR EQUAL
(VAPOR TIGHT)



TOP VIEW



FRONT X-SECTION VIEW



SIDE X-SECTION A-A

NOTES:

- 1- MATERIAL SPEC'S.
 - A. CONCRETE PORTLAND CEMENT TYPE II, MINIMUM COMPRESSIVE STRENGTH=3000 PSI AT 28 DAYS.
 - B. REINFORCING BAR INTERMEDIATE GRADE ASTM A615.
 - C. REINFORCING WELDED WIRE MESH ASTM A185
- 2- UNIT COATED OUTSIDE WITH AN APPROVED PROTECTIVE COATING.
- 3- ALL DIMENSIONS +/- NOT TO BE USED FOR CONSTRUCTION PURPOSES UNLESS CERTIFIED.
- 4- PRECAST UNIT TO BE PLACED ON NATURAL SOIL OR APPROVED COMPACTED FILL.
- 5- STANDARD GROUND WATER SEAL- BUTYL ROPE MASTIC OR CEMENT MORTAR.
- 6- PRIOR TO BACKFILLING, INTERCEPTOR SHALL BE TESTED. TANK SHALL BE EXPOSED ON ALL SIDES AND FILLED WITH WATER AND SHALL HOLD WATER FOR A MINIMUM TEST PERIOD OF TWO HOURS.
- 7- CLEANOUT SIZE TO MATCH INLET/OUTLET SIZE.

CITY OF ST. GEORGE ENGINEERING DEPARTMENT

GREASE/SAND INTERCEPTOR DETAILS

REVISIONS		
DATE	DESCRIPTION	BY

STANDARD DWG. NO.	
234	1 OF 1
APPROVED: <i>[Signature]</i>	
DATE: 9/04	BY: LBB