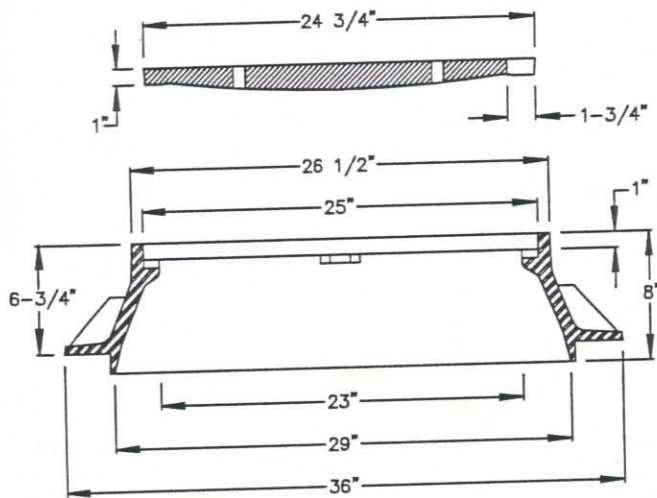
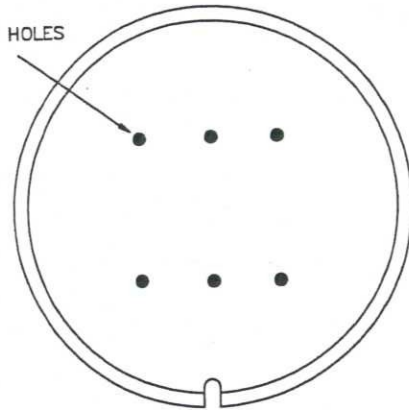


1/2" GUSSETS
(6 EACH AT 60 DEGREES)



3/4" VENT HOLES



NOTES:

- 1- USE D & L MODEL NO. A-1180 OR APPROVED EQUAL.
- 2- MUST MEET HS-20 LOADING.

CITY OF ST. GEORGE ENGINEERING DEPARTMENT

SANITARY SEWER
MANHOLE RING & COVER

STANDARD DWG. NO.

224 1 OF 1

APPROVED: *[Signature]*

DATE: 9/04 BY: LBB

REVISIONS		
DATE	DESCRIPTION	BY