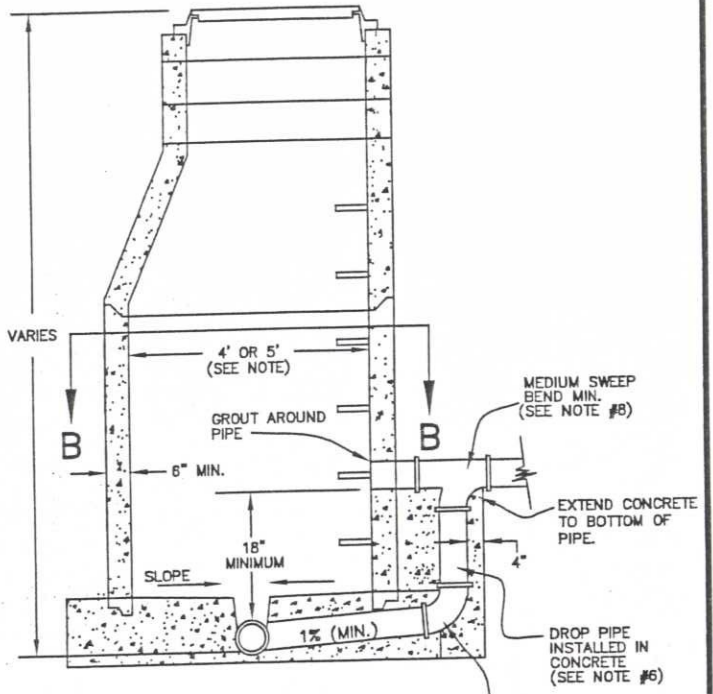


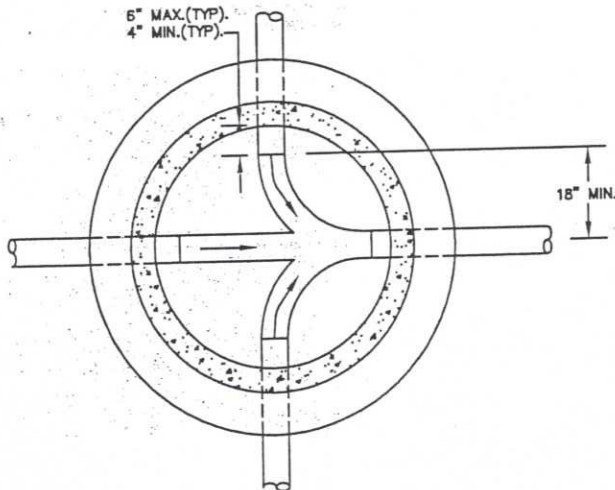
TYPICAL JUNCTION MANHOLE
(SECTION THRU CENTER)



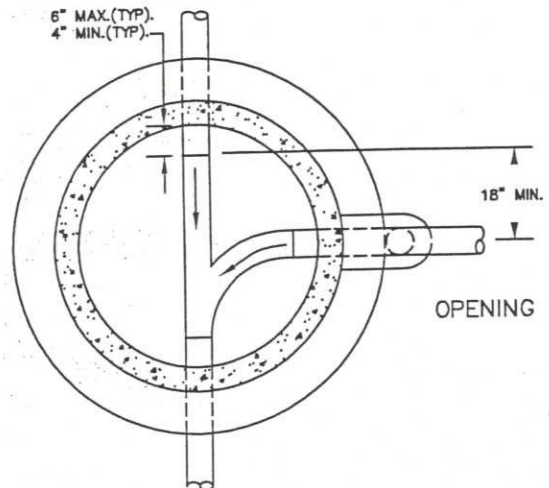
TYPICAL DROP MANHOLE
(SECTION THRU CENTER)

NOTES:

- 1- FOR SEWER PIPES LESS THAN 12-INCH DIAMETER USE 4-FOOT DIAMETER MANHOLE.
- 2- FOR SEWER PIPES WITH 12-INCH OR GREATER DIAMETER USE 5-FOOT DIAMETER MANHOLE.
- 3- WHEN THE SUM OF ALL PIPE SIZES CONNECTED TO THE MANHOLE TOTALS 24 INCHES OR GREATER USE A 5-FOOT DIAMETER MANHOLE.
- 4- WHEN SEWER DEPTH IS 12 FEET OR GREATER USE A 5-FOOT DIAMETER MANHOLE.
- 5- SEE DRAWING NO. _____ FOR ADDITIONAL DETAILS.
- 6- VERTICAL DROP PIPE AND FITTINGS SHALL BE THE SAME SIZE AS THE INCOMING SEWER PIPE.
- 7- NO LATERALS SHALL BE INSTALLED DIRECTLY INTO MANHOLES UNLESS PRIOR APPROVAL BY CITY REPRESENTATIVE.
- 8- BENDS CAN BE 45° OR 90° - (90° IS SHOWN) ALL OTHER REQUIREMENTS ARE THE SAME.



SECTION A-A



SECTION B-B

NO SCALE

CITY OF ST. GEORGE ENGINEERING DEPARTMENT

**JUNCTION & DROP MANHOLE
DETAILS**

STANDARD DWG. NO.

221 1 OF 1

APPROVED: *[Signature]*

DATE: 9/04 BY: LBB

REVISIONS		
DATE	DESCRIPTION	BY
8-2004	REVISED DROP/ADDED NOTES 7-8	LBB