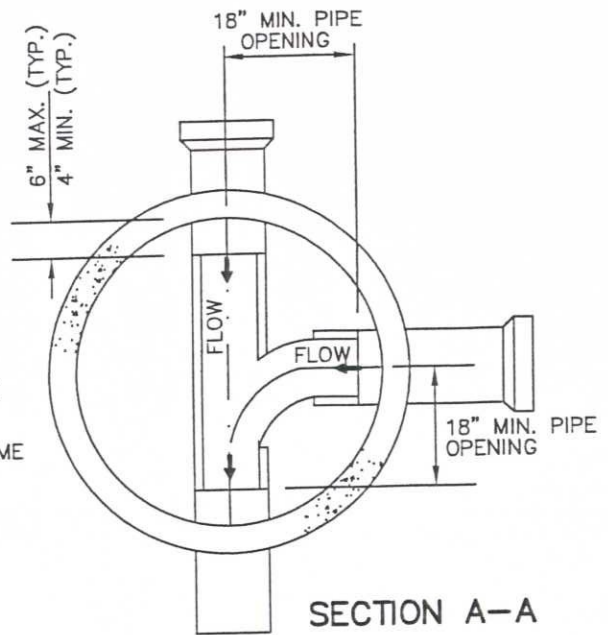


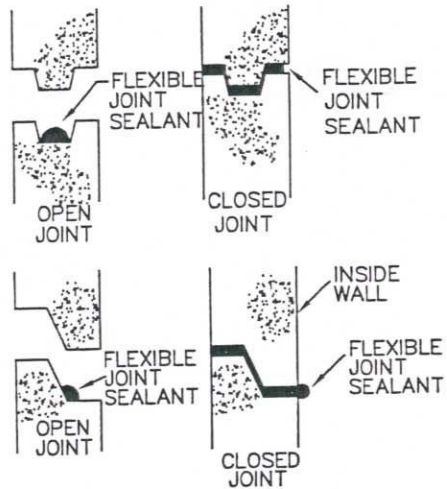
SECTION THRU CENTER

NOTES:

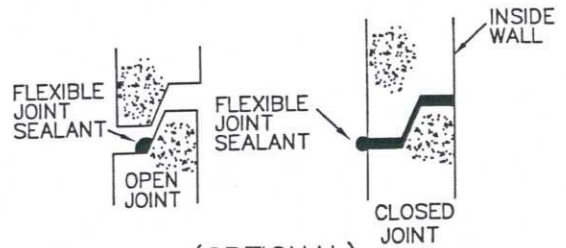
- 1- SEE DRAWING NO. 220 FOR JUNCTION AND DROP MANHOLE SIZES.
- 2- PRECAST BASE MAY BE USED, BUT REQUIRES ADVANCED APPROVAL.
- 3- IF OPTIONAL JOINT IS USED, ALL MANHOLE SECTIONS SHALL BE CLEARLY MARKED ON THE INSIDE AS TO THE MANUFACTURER AND TYPE OF JOINT BEING USED.
- 4- ALL MANHOLE SECTIONS SHALL BE CLEARLY MARKED ON THE INSIDE AS TO MANUFACTURER AND DATE OF MANUFACTURE.



SECTION A-A



(STANDARD)



(OPTIONAL)

JOINT DETAILS

NO SCALE

CITY OF ST. GEORGE ENGINEERING DEPARTMENT

**STANDARD MANHOLE
DETAILS**

STANDARD DWG. NO.
220 1 OF 1

APPROVED: *[Signature]*
DATE: 9/09 BY: LBB

REVISIONS		
DATE	DESCRIPTION	BY
7-2004	ADDED NOTE 4	LBB